

**VENT RELIEF VALVE**  
**1/8" - 1" NPT**  
**.5 - 150 Psig (0.03 – 10.3 bar)**

VRV

SERIES

**Description**

A compact, highly accurate, direct acting pressure relief valve. Factory preset to desired crack pressure and/or flow specifications. Internal adjustment provides tamper proof safety against inadvertent pressure changes. Available vent to atmosphere or inline configurations in brass, aluminum and 316 stainless steel. Valves feature a Quad ring seal which provides for extreme accuracy and repeatability with a narrow reseal band. Optional deflector cap increases flow capacity and provides for deflection of discharge.

**Features**

- Accurate and Repeatable Cracking Pressure
- 100% Factory Preset and Tested
- Zero Leakage to 95-98% of Set Pressure
- Tamper Proof Adjustment
- Excellent Reseal Performance
- Compact Size

**Technical Data**

- Set Pressure Range: 0.5 to 150 Psig (0.03 to 10.34 bar)
- Inline Valves (Series VRVI):  
 Proof Pressure: 400 Psig (28 bar)  
 Burst Pressure: >500 Psig (34 bar)
- Set Pressure Tolerance: Factory preset  
 < 2 Psig (0.14 bar): +/-10%  
 2 to 150 Psig (0.14 to 10.3 bar): +/- 5%  
 (on increasing pressure)
- Reseal:  
 50% of Set Pressure for valves specified .5-1.9 Psig  
 (0.03 to 0.13 bar)  
 80% of Set Pressure for valves specified 2-10 Psig  
 (0.14 to 0.69 bar)  
 92% of Set Pressure for valves specified 10.1-150  
 Psig (0.70 to 10.34 bar)

Temperature Range: -320° F (-195° C to 205° C)

*(based on sealing selection, see ordering information)*

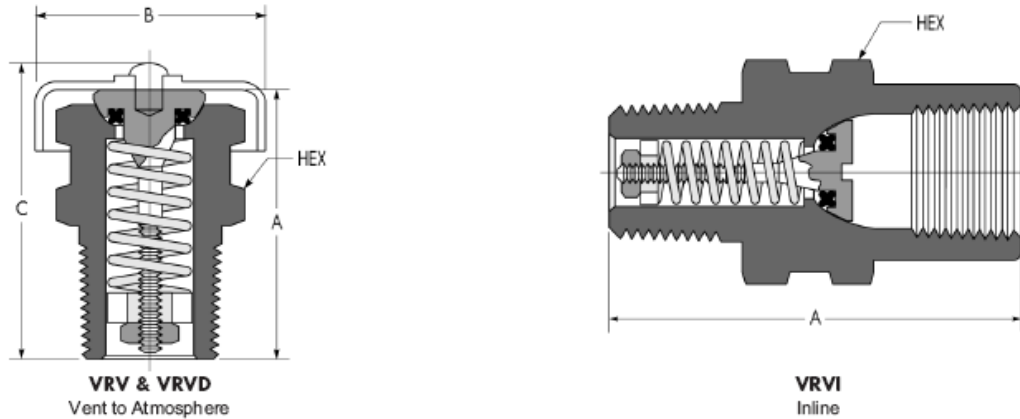


**VRV**  
**Vent to Atmosphere**



**VRVI**  
**Inline**

# SERIES VRV VENT RELIEF VALVE



## Dimensional Data

Pipe Size NPT <sup>1</sup>	VRV & VRVD				VRVI	
	A	B	C	Hex	A	Hex
1/8"	.97	.69	1.10	1/2"	Not Available	
1/4"	1.20	.92	1.32	5/8"	1.62	3/4"
3/8"	1.24	1.17	1.38	3/4"	2.12	7/8"
1/2"	1.75	1.40	1.92	1"	2.20	1"
3/4"	2.25	1.73	2.44	1-1/8"	2.72	1-1/4"
1"	3.12	1.94	3.29	1-1/2"	Not Available	

<sup>1</sup> Available with male straight thread connections. (SAE J1926, MS33656 with cone point removed) Consult factory

## Materials of Construction

Component	Valve Body Material		
	Brass	Aluminum <sup>1</sup>	Stainless Steel
Valve Body	Brass, ASTM B16 (Nickel Plated, ASTM B689)	2024 Aluminum ASTM B211 (Clear Anodized, ASTM B580)	316 SS, ASTM A479
Stem	Brass, ASTM B16		
Spring Retainer <sup>2</sup>			
Seal <sup>3</sup>	As specified, see ordering information		
Spring	302 SS/17-7 PH, ASTM A313		
Locknut	18-8 SS		
Deflector Cap and Rivet	2024 Aluminum ASTM B211 (Clear Anodized, ASTM B580)		

<sup>1</sup> Available in 1/8" and 1/4" valves only

<sup>2</sup> All 1/8" and 1/4" valves have 316 stainless steel (ASTM A479) retainers

<sup>3</sup> Lubricated with Krytox™

**GENERANT**

[www.generant.com](http://www.generant.com)

1865 Route 23 South PO Box 768 Butler, New Jersey 07405 973.838.6500 Fax 973.838.4888

# SERIES VRV VENT RELIEF VALVE

## Flow Data, Series VRV (Vent to Atmosphere)

Nominal Spring		1		5		10		20		50		100		150	
Set Pressure Range		0.5 - 2.5		2.6 - 7.5		7.6 - 15		16 - 35		36-75		76 - 125		126 - 150	
Valve Size	Orifice	Flow (SCFH)	Kd	Flow (SCFH)	Kd	Flow (SCFH)	Kd	Flow (SCFH)	Kd	Flow (SCFH)	Kd	Flow (SCFH)	Kd	Flow (SCFH)	Kd
1/8" NPT (VRV-125)	0.187	7.7	0.03	34	0.06	55	0.07	90	0.08	260	0.12	500	0.13	610	0.11
1/4" NPT (VRV-250)	0.275	8	0.01	37	0.03	69	0.04	123	0.05	515	0.11	2011	0.24	2290	0.19
3/8" NPT (VRV-375)	0.345	12	0.01	58	0.03	108	0.04	150	0.04	550	0.07	1300	0.1	1140	0.06
1/2" NPT (VRV-500)	0.410	50	0.04	110	0.04	150	0.04	220	0.04	1458	0.14	3725	0.2	4000	0.15
3/4" NPT (VRV-750)	0.570	74	0.03	82	0.01	95	0.01	225	0.02	1050	0.05	2080	0.06	3450	0.07
1" NPT (VRV-1000)	0.785	Consult Factory		175	0.02	114	0.01	310	0.02	1360	0.04	4600	0.07	5500	0.06

## Flow Data, Series VRVD (Vent to Atmosphere, with Deflector Cap)

Nominal Spring		1		5		10		20		50		100		150	
Set Pressure Range		0.5 - 2.5		2.6 - 7.5		7.6 - 15		16 - 35		36-75		76 - 125		126 - 150	
Valve Size	Orifice	Flow (SCFH)	Kd	Flow (SCFH)	Kd	Flow (SCFH)	Kd	Flow (SCFH)	Kd	Flow (SCFH)	Kd	Flow (SCFH)	Kd	Flow (SCFH)	Kd
1/8" NPT (VRVD-125)	0.187	10.3	0.04	39	0.07	95	0.12	100	0.09	280	0.13	580	0.15	780	0.14
1/4" NPT (VRVD-250)	0.275	11	0.02	40	0.03	100	0.05	172	0.07	2340	0.5	4272	0.5	6650	0.55
3/8" NPT (VRVD-375)	0.345	13	0.01	77	0.04	130	0.05	195	0.05	738	0.1	4353	0.33	6275	0.33
1/2" NPT (VRVD-500)	0.410	60	0.05	246	0.09	420	0.11	658	0.12	2605	0.25	6800	0.37	7600	0.29
3/4" NPT (VRVD-750)	0.570	50	0.02	76	0.01	116	0.02	2500	0.23	6000	0.30	11000	0.30	20000+	0.34+
1" NPT (VRVD-1000)	0.785	Consult Factory		560	0.06	500	0.04	600	0.03	10000	0.27	12000	0.18	20000+	0.20+

## Flow Data, Series VRVI (Inline)

Nominal Spring		1		5		10		20		50		100		150	
Set Pressure Range		0.5 - 2.5		2.6 - 7.5		7.6 - 15		16 - 35		36-75		76 - 125		126 - 150	
Valve Size	Orifice	Flow (SCFH)	Kd	Flow (SCFH)	Kd	Flow (SCFH)	Kd	Flow (SCFH)	Kd	Flow (SCFH)	Kd	Flow (SCFH)	Kd	Flow (SCFH)	Kd
1/4" NPT (VRVI-250)	0.187	7.7	0.03	34	0.06	55	0.07	90	0.08	260	0.12	500	0.13	610	0.11
3/8" NPT (VRVI-375)	0.275	8	0.01	37	0.03	69	0.04	123	0.05	515	0.11	2011	0.24	2290	0.19
1/2" NPT (VRVI-500)	0.345	12	0.01	58	0.03	108	0.04	150	0.04	550	0.07	1300	0.1	1140	0.06
3/4" NPT (VRVI-750)	0.410	50	0.04	110	0.04	150	0.04	220	0.04	1458	0.14	3725	0.2	4000	0.15

### Notes to Flow Data

- Flow and Kd (discharge coefficient) are stated at 110% accumulation above set point with Nitrogen and Zero Downstream Pressure
- Interpolate charts for set pressures between points given
- Restrictions in the inlet or outlet piping may reduce flow
- Exceeding 115% accumulation may result in valve failure
- Generant offers complete design assistance. Consult factory for correct relief valve sizing
- Individual flow curves available on request
- Orifice sizes are stated in inches



[www.generant.com](http://www.generant.com)

1865 Route 23 South PO Box 768 Butler, New Jersey 07405 973.838.6500 Fax 973.838.4888

# SERIES VRV VENT RELIEF VALVE

## Ordering Information

VRV - 125 B - V - 15

### SERIES

VRV - Vent to Atmosphere  
 VRVD - Vent to Atmosphere with Deflector Cap  
 VRVI - Inline Relief (Male x Female)

### PORT SIZE

125 - 1/8"  
 250 - 1/4"  
 375 - 3/8"  
 500 - 1/2"  
 750 - 3/4"  
 1000 - 1" (Note: VRVI Not Available)  
 NPT threads per ANSI/ASME B1.20.1

### Material Code

B - Brass  
 A - Aluminum  
 SS - 316 SS  
 For other materials, consult factory

### NOMINAL SET PRESSURE

Specify .5 - 150 Psig  
 (For cracking pressure below 10 Psig using Teflon™ Seals, Consult Factory)  
 Valves that are not actuated for a period of time may exhibit higher initial crack pressure (first bubble) than subsequent cycles

### SEAL MATERIAL

V - Viton™, -20° F to 400° F (-29° C to 205° C)  
 B - Buna-N, -40° F to 250° F (-40° C to 121° C)  
 N - Neoprene, -40° F to 250° F (-40° C to 121° C)  
 EP - Ethylene Propylene, -65° F to 300° F (-54° C to 148° C)  
 FS - Fluorsilicone, -80° F to 350° F (-62° C to 176° C)  
 S - Silicone, -65° F to 400° F (-54° C to 205° C)  
 T - Teflon™, -320° F to 400° F (-220° C to 205° C)  
 (For cracking pressure below 10 Psig using Teflon™ Seals, Consult Factory)

### OPTIONS

Oxygen cleaning, alternative seals and other thread configurations,  
 consult the factory

Viton, Krytox & Teflon are trademarks of DuPont.

PROPER COMPONENT SELECTION – When specifying a component, the total system design must be considered to ensure safe and trouble-free performance. Intended component function, materials compatibility, pressure ratings, installation, environment and maintenance are the responsibility of the system designer.



[www.generant.com](http://www.generant.com)

1865 Route 23 South PO Box 768 Butler, New Jersey 07405 973.838.6500 Fax 973.838.4888