

Globe Valves

Type 01325 - Globe Valve



Cryogenic-Globe and Globe/Check Valves, PN50

Stainless steel body and bronze topwork
 "live loaded" gland packing
 "cleaned and degreased for oxygen service"

Part No. 01325.X.0011 (H = 270mm)
Part No. 01325.X.0021 (H = 370mm)
Part No. 01325.X.5011 (H = 270mm) Globe/Check Valve
Part No. 01325.X.5021 (H = 370mm) Globe/Check Valve
 Female thread connection (G) acc. to ISO 228/1

Part No. 01325.X.0016 (H = 270mm)
Part No. 01325.X.0026 (H = 370mm)
Part No. 01325.X.5016 (H = 270mm) Globe/Check Valve
Part No. 01325.X.5026 (H = 370mm) Globe/Check Valve
 Female thread connection NPT acc. to ANSI B 1.20.1

Available options - on request only:
 · Female thread connection (R) acc. to ISO 7-Rc
 · Extension H up to 900mm
 · Valve with control disc (tapered design)

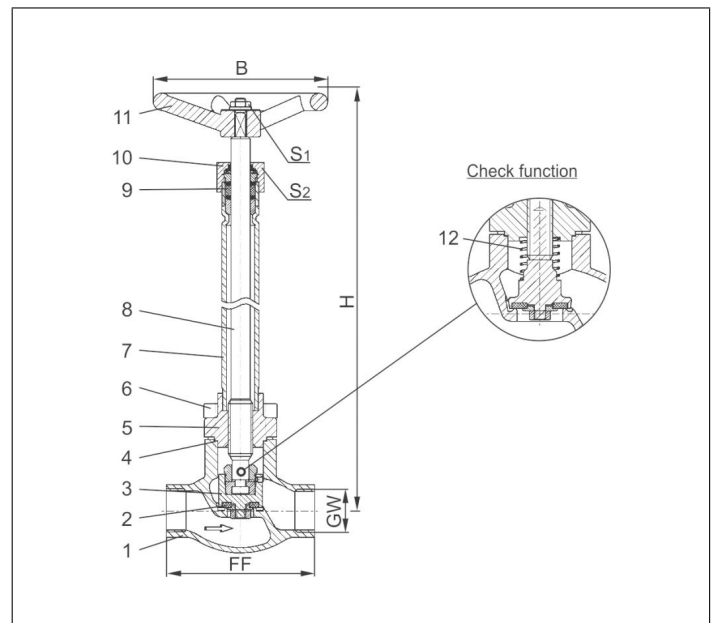
Applications:

Approved for air gases, vapours and cryogenic liquefied gases incl. LNG.
 Working temperature: -196°C / -321°F (77K) up to +120°C / +248°F (393K)



| Materials | DIN EN | ASTM |
|-------------------|----------------------------|------------------|
| 1 Body | 1.4308 | A 351 CF8 |
| 2 Valve seal | PTFE / Carbon filled (25%) | |
| 3 Disc | CW614N | B 283 UNS C38500 |
| 4 Bonnet gasket | PTFE | |
| 5 Headpiece | CC493K | B 505 UNS C93200 |
| 6 Bolts | 1.4301/A2 | A 194 B8 |
| 7 Elongation tube | 1.4541 | A 213 TP 321 |
| 8 Stem | 1.4301 | A 276 Grade 304 |
| 9 Gland packing | Graphite / PTFE | |
| 10 Gland nut | CW614N | B 283 UNS C38500 |
| 11 Handwheel | Aluminium alloy | |
| 12 Spring | CW452K | B 159 UNS C51900 |

Standard marking acc. to Pressure Equipment Directive 2014/68/EU (PED).



| Type 01325 - Standard design | Technical data | | | | | | | | |
|------------------------------|-------------------|----------------|------|------|------|------|-------|-------|------|
| Nominal size | DN | 10 | 10 | 15 | 20 | 25 | 40 | 40 | 50 |
| Thread size | GW | 1/4 | 3/8 | 1/2 | 3/4 | 1 | 1-1/4 | 1-1/2 | 2 |
| Dimension code | .X. | 0200 | 0300 | 0400 | 0600 | 1000 | 1200 | 1400 | 2000 |
| Face-to-face dimension | FF | 70 | 70 | 85 | 100 | 115 | 130 | 130 | 155 |
| Height | H | 270mm or 370mm | | | | | | | |
| Handwheel-Ø | B | 100 | 100 | 100 | 100 | 100 | 125 | 125 | 125 |
| Wrench size across flats | S ₁ | 7 | 7 | 7 | 7 | 7 | 10 | 10 | 10 |
| Wrench size across flats | S ₂ | 30 | 30 | 30 | 30 | 30 | 36 | 36 | 36 |
| Weight | ca. kg | 1.4 | 1.4 | 1.7 | 2.1 | 2.4 | 4.7 | 4.7 | 7.2 |
| Kvs-Value | m ³ /h | 1.6 | 2.2 | 4.3 | 6.7 | 11.5 | 20.6 | 22.6 | 37.1 |
| Cv-Value | gal/min | 1.9 | 2.6 | 5.0 | 7.8 | 13.4 | 23.9 | 26.3 | 43.2 |

Dimensions in mm.